

# V-3 TYPE

SIZE: 1/4"~4"



## STAINLESS STEEL

**AISI-316** (EN10213-4 1.4408) (ASTM-A351-CF8M)

**AISI-304** (EN10213-4 1.4308) (ASTM-A351-CF8)

## CARBON STEEL

**S-20C** (EN10213-2 1.0619) (ASTM-A216-WCB)

### FEATURES:

\*Pipe thread in accordance with ANSI B2.1, BS 21 1973, DIN 259/2999, ISO 228

\*Lug body

\*Blow-out proof stem/Full port

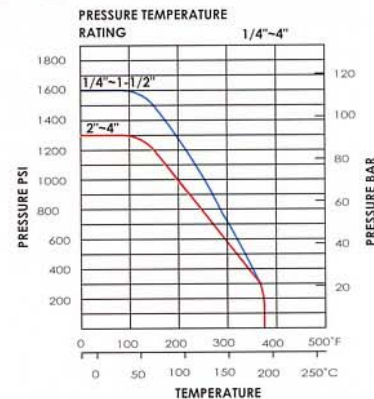
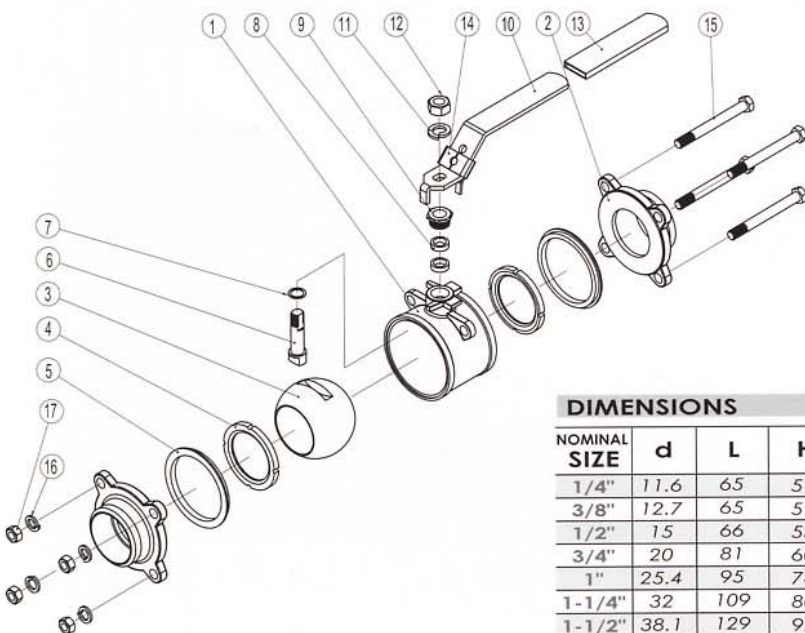
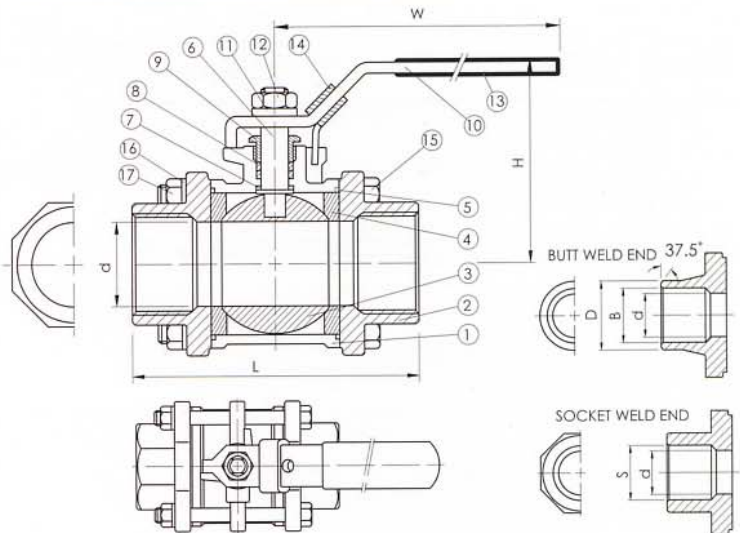
\*Investment casting body and cap

\*1000 WOG (63 BAR)

OPTION: Locking device

DIN standard M3 length

ITEM	PARTS	Q'TY	MATERIALS	
1	BODY	1	ASTM-A351-CF8M	ASTM-A216-WCB
2	CAP	2	ASTM-A351-CF8M	ASTM-A216-WCB
3	BALL	1	ASTM-A351-CF8M	ASTM-A351-CF8
4	BALL SEAT	2	PTFE	PTFE
5	JOINT GASKET	2	PTFE	PTFE
6	STEM	1	AISI 316	AISI 304
7	THRUST WASHER	1	PTFE	PTFE
8	STEM PACKING	2	PTFE	PTFE
9	GLAND NUT	1	AISI 304	AISI 304
10	HANDLE	1	AISI 304	AISI 304
11	STEM WASHER	1	AISI 304	AISI 304
12	STEM NUT	1	AISI 304	AISI 304
13	PLASTIC COVER	1	PLASTIC	PLASTIC
14	LOCK DEVICE	1	AISI 304	AISI 304
15	BOLT	4(3",4"x6 PCS)	AISI 304	AISI 304
16	SPRING WASHER	4(3",4"x6 PCS)	AISI 304	AISI 304
17	HEX NUT	4(3",4"x6 PCS)	AISI 304	AISI 304



### DIMENSIONS

UNIT:mm

NOMINAL SIZE	d	L	H	W	B	D	S	Cv FACTOR	TORQUE kgf-cm	KG
1/4"	11.6	65	51	95	12	18	14.1	6.6	40	0.41
3/8"	12.7	65	51	95	14	18	17.6	7.9	40	0.41
1/2"	15	66	55	95	17.1	22	21.7	11.2	54	0.65
3/4"	20	81	60	110	22.5	27.5	27.1	21	78	0.8
1"	25.4	95	74	135	28	33.5	33.8	35	106	1.2
1-1/4"	32	109	80	135	33.5	44	42.6	57	150	2.05
1-1/2"	38.1	129	92	165	43	50	48.7	80	200	2.8
2"	50.8	150	101	165	53	61.5	61.1	150	280	4.35
2-1/2"	65	180	130	215	65	76	76.9	265	500	8.4
3"	80	206	142	215	80	92	89.8	415	770	14.5
4"	100	261	174	325	100	115	115.4	780	1100	26.5