

# SCREWED END 2-PIECE, FULL PORT



## V-2E TYPE

SIZE: 1/4"~4"



### STAINLESS STEEL

**AISI-316** (EN10213-4 1.4408) (ASTM-A351-CF8M)

**AISI-304** (EN10213-4 1.4308) (ASTM-A351-CF8)

### CARBON STEEL

**S-20C** (EN10213-2 1.0619) (ASTM-A216-WCB)

#### FEATURES:

\*Pipe thread in accordance with ANSI B2.1, BS 21 1973, DIN 259/2999,ISO 228

\*With mounting pad

\*Blow-out proof stem

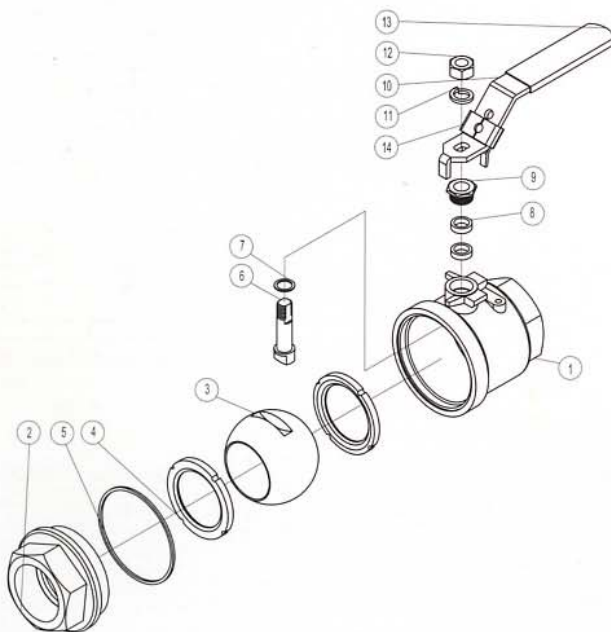
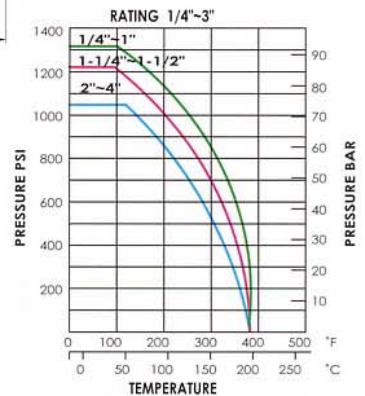
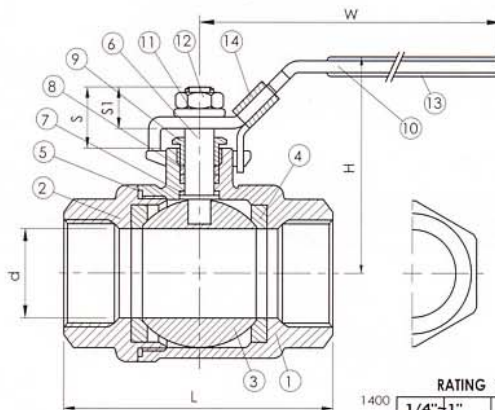
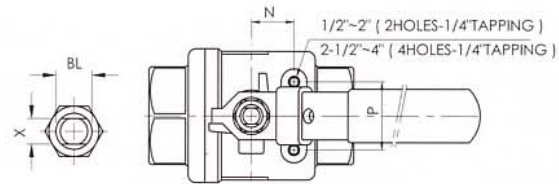
\*Investment casting body and cap

\*1000 WOG (63 BAR)

**OPTION: Locking device**

**Drilled and tapped mounting pad**

| ITEM | PARTS         | QTY | MATERIALS      |               |
|------|---------------|-----|----------------|---------------|
| 1    | BODY          | 1   | ASTM-A351-CF8M | ASTM-A216-WCB |
| 2    | CAP           | 1   | ASTM-A351-CF8M | ASTM-A216-WCB |
| 3    | BALL          | 1   | ASTM-A351-CF8M | ASTM-A351-CF8 |
| 4    | BALL SEAT     | 2   | PTFE           | PTFE          |
| 5    | JOINT GASKET  | 1   | PTFE           | PTFE          |
| 6    | STEM          | 1   | AISI 316       | AISI 304      |
| 7    | THRUST WASHER | 1   | PTFE           | PTFE          |
| 8    | STEM PACKING  | 2   | PTFE           | PTFE          |
| 9    | GLAND NUT     | 1   | AISI 304       | AISI 304      |
| 10   | HANDLE        | 1   | AISI 304       | AISI 304      |
| 11   | SPRING WASHER | 1   | AISI 304       | AISI 304      |
| 12   | STEM NUT      | 1   | AISI 304       | AISI 304      |
| 13   | PLASTIC COVER | 1   | PLASTIC        | PLASTIC       |
| 14   | LOCK DEVICE   | 1   | AISI 304       | AISI 304      |



#### DIMENSIONS

UNIT:mm

| NOMINAL SIZE | d    | L    | H     | W   | S    | S1   | X   | N    | P    | BL    | Cv FACTOR | TORQUE kgf-cm | KG    |
|--------------|------|------|-------|-----|------|------|-----|------|------|-------|-----------|---------------|-------|
| 1/4"         | 11.6 | 44.5 | 51    | 95  | 16.8 | 10.2 | 5.0 | 12.5 | 25   | 5/16" | 6.6       | 40            | 0.22  |
| 3/8"         | 12.7 | 44.5 | 51    | 95  | 16.8 | 10.2 | 5.0 | 12.5 | 25   | 5/16" | 7.9       | 40            | 0.22  |
| 1/2"         | 15   | 57   | 53    | 95  | 16.8 | 10.2 | 5.0 | 12.5 | 25   | 5/16" | 11.2      | 54            | 0.29  |
| 3/4"         | 20   | 65   | 59.5  | 110 | 21   | 13.5 | 6.5 | 21   | 24   | 3/8"  | 21        | 74            | 0.42  |
| 1"           | 25   | 76   | 73    | 135 | 24   | 16   | 8   | 22.5 | 33.5 | 7/16" | 35        | 104           | 0.71  |
| 1-1/4"       | 32   | 87.5 | 79    | 135 | 25   | 16   | 8   | 23.5 | 38.1 | 7/16" | 57        | 135           | 1.06  |
| 1-1/2"       | 38   | 102  | 90.5  | 165 | 26.5 | 17   | 9   | 23.5 | 38.1 | 1/2"  | 80        | 180           | 1.68  |
| 2"           | 50   | 123  | 98.5  | 165 | 26.5 | 17   | 9   | 23.5 | 38.1 | 1/2"  | 148       | 250           | 2.71  |
| 2-1/2"       | 65   | 156  | 130.5 | 215 | 41.5 | 29.5 | 12  | 35   | 56   | 3/4"  | 265       | 480           | 5.25  |
| 3"           | 80   | 184  | 142.5 | 215 | 41.5 | 29.5 | 12  | 35   | 56   | 3/4"  | 415       | 750           | 8.6   |
| 4"           | 100  | 250  | 173.5 | 325 | 47.5 | 36.5 | 16  | 50   | 63   | 1"    | 780       | 1100          | 19.32 |