

PUSH OPEN VALVES FOR GAS PRESSURE GAUGES

ISO 9001 : 2008



Size : DN 1/4" and 1/2"
Ends : Female BSP
Min Temperature : - 10°C
Max Temperature : + 90°C
Max Pressure : 4 Bars
Specifications : With exhaust hole
Reduced bore
Push open valve

Materials : Brass

PUSH OPEN VALVES FOR GAS PRESSURE GAUGES

SPECIFICATIONS :

- With exhaust hole
- Reduced bore
- Push open valve
- Normally closed valve

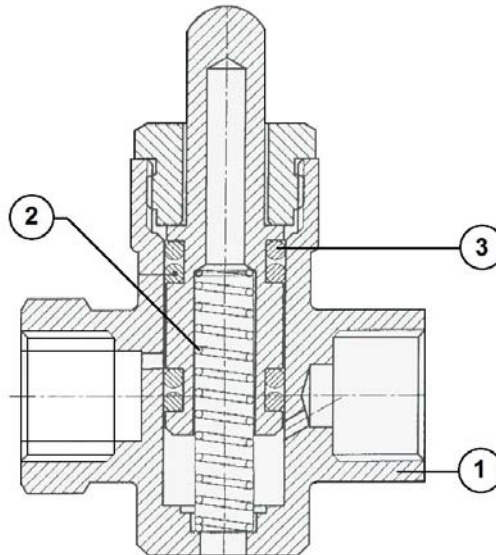
USE :

- Gas
- Not for viscous or crystallizing liquid
- Min Temperature Ts : - 10 °C
- Max Temperature Ts : + 90°C
- Max Pressure PN : 4 bars

RANGE :

- Female / Female BSP threaded DN 1/4" **Ref. 9880302**
- Female / Female BSP threaded DN 1/2" **Ref. 9880304**

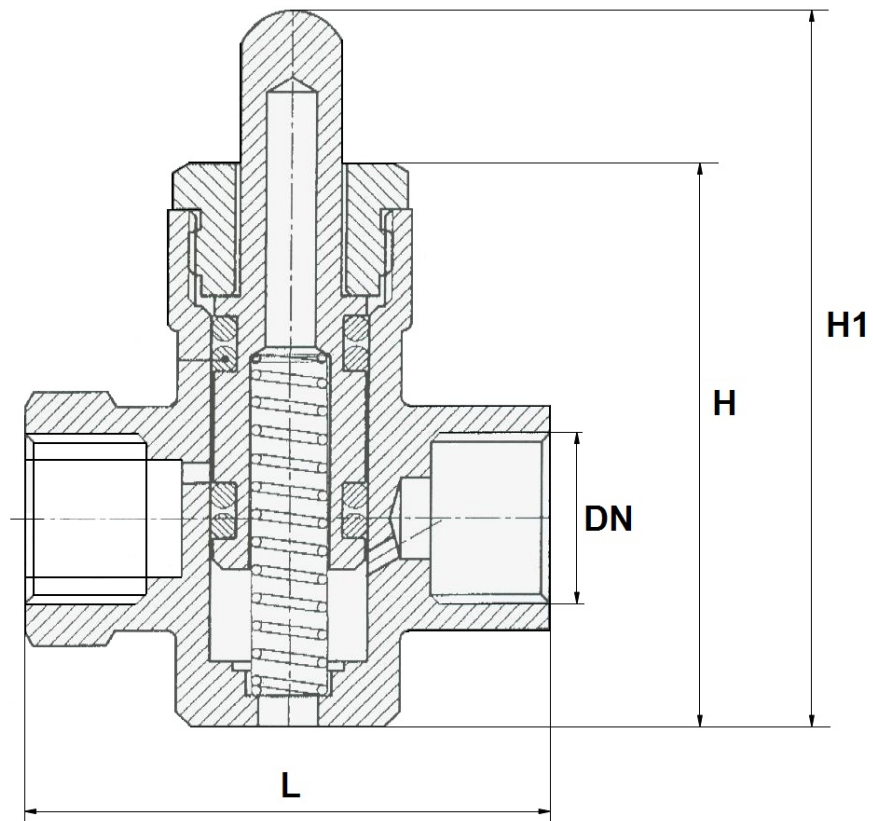
MATERIALS :



Item	Designation	Materials Ref.1305 et 1306
1	Body	Brass CW 617 N according to EN 12165
2	Spring	SS 302
3	O ring	Gas NBR

PUSH OPEN VALVES FOR GAS PRESSURE GAUGES

SIZE (in mm) :



Ref.	DN	1/4"	1/2"
988030	L	48	56
	H	55	55
	H1	71	71
	Weight (in Kg)	0.184	0.228

PUSH OPEN VALVES FOR GAS PRESSURE GAUGES**STANDARDS :**

- Fabrication according to ISO 9001 : 2008
- DIRECTIVE 97/23/CE : Products excluded from directive (Article 1, § 3.2)
- Threaded female BSP cylindrical according to ISO 228-1

ADVICE : Our opinion and our advice are not guaranteed and SFERACO shall not be liable for the consequences of damages.
The customer must check the right choice of the products with the real service conditions.