

STAINLESS STEEL GATE VALVE FLANGED PN16 SHORT PATTERN (3202-1 F4)



ISO 9001 : 2015



PED 2014/68/EU



Certificate 3.1



Size : DN 50 to DN 300

Ends : Flanges R.F. PN16

Min Temperature : - 29°C

Max Temperature : + 538°C (300°C max with corrosive fluid)

Max Pressure : 16 Bars

Specifications : Rising, non-rotating stem

Bolted bonnet and gland pack

Full bore

Materials : Stainless steel ASTM A351 CF8M

STAINLESS STEEL GATE VALVE FLANGED PN16 SHORT PATTERN (3202-1 F4)
SPECIFICATIONS :

- Full bore
- Rising, non-rotating stem
- Fixed non rising handwheel
- Flexible one piece wedge
- Flanges R.F. PN16
- Stainless steel body
- Bolted bonnet and gland pack
- TRIM 10 standard AISI 316
- Atex

USE :

- Water distribution, gas oil, steam, petrochemical, petroleum industry, gas
- Min and max Temperature Ts : - 29°C to + 538°C (300°C with corrosive fluid)
- Max Pressure Ps : 16 bars
- **Do not use with scraper**
- **Tighten the gland packing in service**

FLOW COEFFICIENT Kvs :

DN (mm)	50	65	80	100	125	150	200	250	300
Kvs	265	423	614	1124	1807	2690	4947	7727	11546

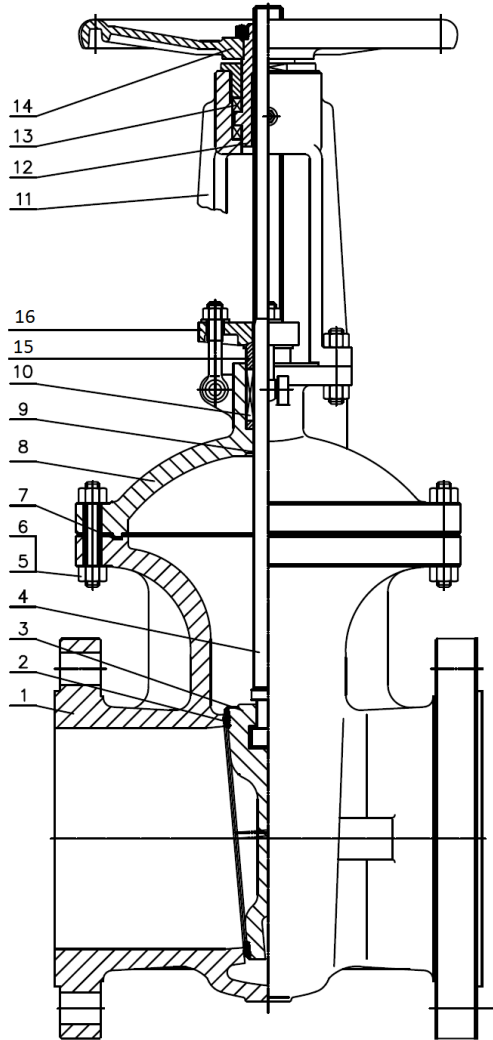
PRESSURE / TEMPERATURE RELATION :

(According to BS EN 12516-1 for A351 CF8M)

Pressure (Bar)	15.7	15.7	15.2	13.3	12.2	11.3	10.5	10	9.6	9.4	9.3	9.2	9.1	9.1	8.6	8	7.6
Temperature (°C)	-29	38	50	100	150	200	250	300	350	375	400	425	450	475	500	525	538

RANGE :

- Stainless steel gate valve with flanges R.F. PN16 **Ref. 148** From DN 50 to DN 300

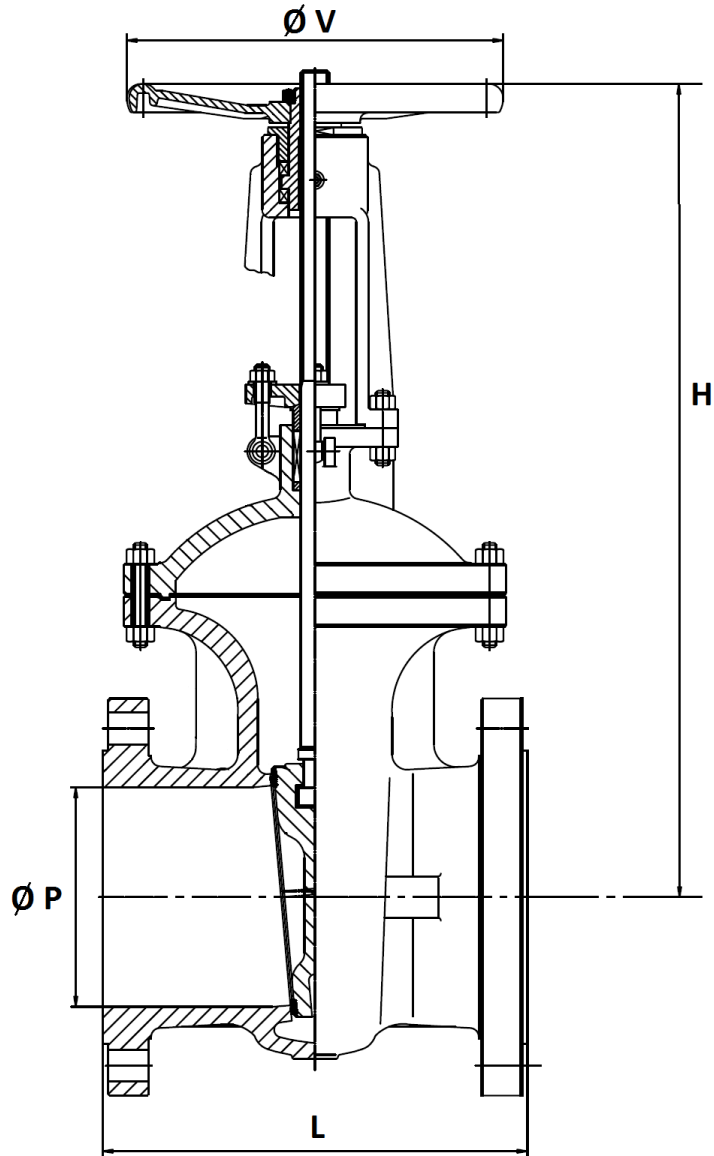
STAINLESS STEEL GATE VALVE FLANGED PN16 SHORT PATTERN (3202-1 F4)
MATERIALS :


(* : included in gaskets kit)

Item	Designation	Materials
1	Body	ASTM A351 CF8M
2	Seat	ASTM A351 CF8M
3	Wedge	ASTM A351 CF8M
4	Stem	ASTM A182 F316
5	Stud bolt	ASTM A193 Gr B8
6	Nut	ASTM A194 Gr 8
7*	Bonnet gasket	AISI 316 + graphite
8	Bonnet	ASTM A351 CF8M
9	Back seat bushing	coating 13Cr
10*	Packing	Graphite
11	Yoke	ASTM A351 CF8M
12	Stem nut	Aluminium + Bronze
13	Ring	E51100
14	Handwheel	Cast iron
15	Packing gland	ASTM A351 CF8M
16	Gland flange	ASTM A351 CF8M

STAINLESS STEEL GATE VALVE FLANGED PN16 SHORT PATTERN (3202-1 F4)

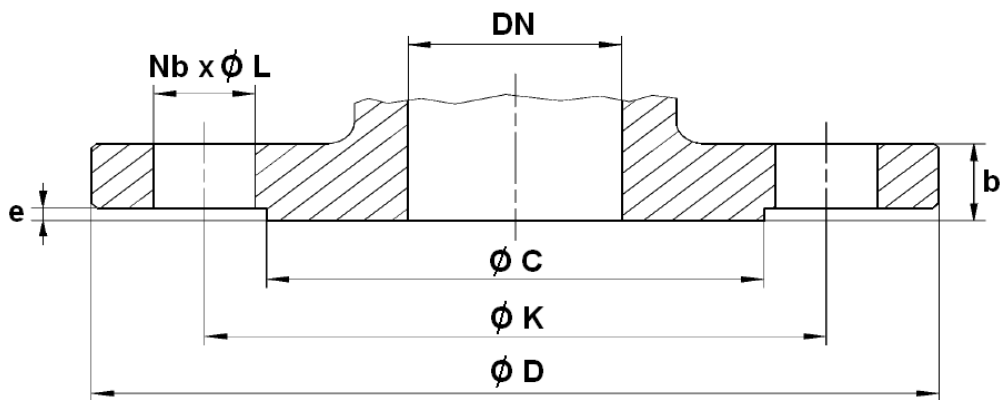
SIZE (in mm) :



DN (mm)	50	65	80	100	125	150	200	250	300
Ø P	50	63	78	100	125	150	203	254	300
L	150	170	180	190	200	210	230	250	270
H (opened)	356	463	459	544	685	757	988	1166	1400
H (closed)	299	385	372	437	548	595	768	900	1075
Ø V	240	240	280	300	300	350	400	450	500
Weig. (Kg)	15	21	27	34	58	64	101	163	221

STAINLESS STEEL GATE VALVE FLANGED PN16 SHORT PATTERN (3202-1 F4)

FLANGES SIZE (in mm) :



DN (mm)	50	65	80	100	125	150	200	250	300
Ø C	102	122	138	158	188	212	268	320	378
Ø D	165	185	200	220	250	285	340	405	460
Ø K	125	145	160	180	210	240	295	355	410
Nb x Ø L	4 x 18	8 x 18	8 x 18	8 x 18	8 x 18	8 x 22	12 x 22	12 x 26	12 x 26
b	18	18	20	20	22	22	24	26	28
e	3	3	3	3	3	3	3	3	4

STAINLESS STEEL GATE VALVE FLANGED PN16 SHORT PATTERN (3202-1 F4)
TORQUE VALUE (in Nm without safety coefficient) :

DN	50	65	80	100	125	150	200	250	300
Torque (Nm)	37	68	85	107	165	180	265	410	540

NUMBER OF CYCLES TO CLOSE OR OPEN THE VALVE :

DN	50	65	80	100	125	150	200	250	300
Number of cycles	15	20	18	23	28	33	38	45	55

STANDARDS :

- Fabrication according to ISO 9001 : 2015 and ISO 14001 : 2015
- DIRECTIVE 2014/68/EU : CE N° 0036
Risk category III Module H
- Certificate 3.1 on request
- Designing according to EN 1984 and EN 12516-1
- Pressure Tests according to EN 122661-1, Rate D
- Length according to EN 558 series 14 (DIN 3202-1, series F4)
- Flanges R.F. according to EN 1092-1 PN16
- ATEX Group II Category 2 G/2D Zone 1 & 21 Zone 2 & 22 (optional marking) according to directive 2014/34/EU

ADVICE : Our opinion and our advice are not guaranteed and SFERACO shall not be liable for the consequences of damages.
The customer must check the right choice of the products with the real service conditions.

STAINLESS STEEL GATE VALVE FLANGED PN16 SHORT PATTERN (3202-1 F4)**INSTALLATION INSTRUCTIONS****GENERAL GUIDELINES :**

- Ensure that the valves to be used are appropriate for the conditions of the installation (type of fluid, pressure and temperature).
- Be sure to have enough valves to be able to isolate the sections of piping as well as the appropriate equipment for maintenance and repair.
- Ensure that the valves to be installed are of correct strength to be able to support the capacity of their usage.
- **Installation of all circuits should ensure that their function can be automatically tested on a regular basis (at least two times a year).**

INSTALLATION INSTRUCTIONS :

- **Before installing the valves, clean and remove any objects from the pipes** (in particular bits of sealing and metal) which could obstruct and block the valves.
- **Ensure that both connecting pipes either side of the valve (upstream and downstream) are aligned (if they're not, the valves may not work correctly).**
- **Make sure that the two sections of the pipe (upstream and downstream) match, the valve unit will not absorb any gaps. Any distortions in the pipes may affect the tightness of the connection, the working of the valve and can even cause a rupture.** To be sure, place the kit in position to ensure the assembling will work.
- **If sections of piping do not have their final support in place, they should be temporarily fixed. This is to avoid unnecessary strain on the valve.**
- Tighten the bolts in cross.
- It's recommended to operate the valve (open and close) 1 to 2 times per year
- Keep greased the stem so that the valve remains easy to open or close.
- **For an installation in ATEX area, check the conductivity between the valve, the upstream pipe and the downstream pipe and make sure the pipe is connected to the earth.**

